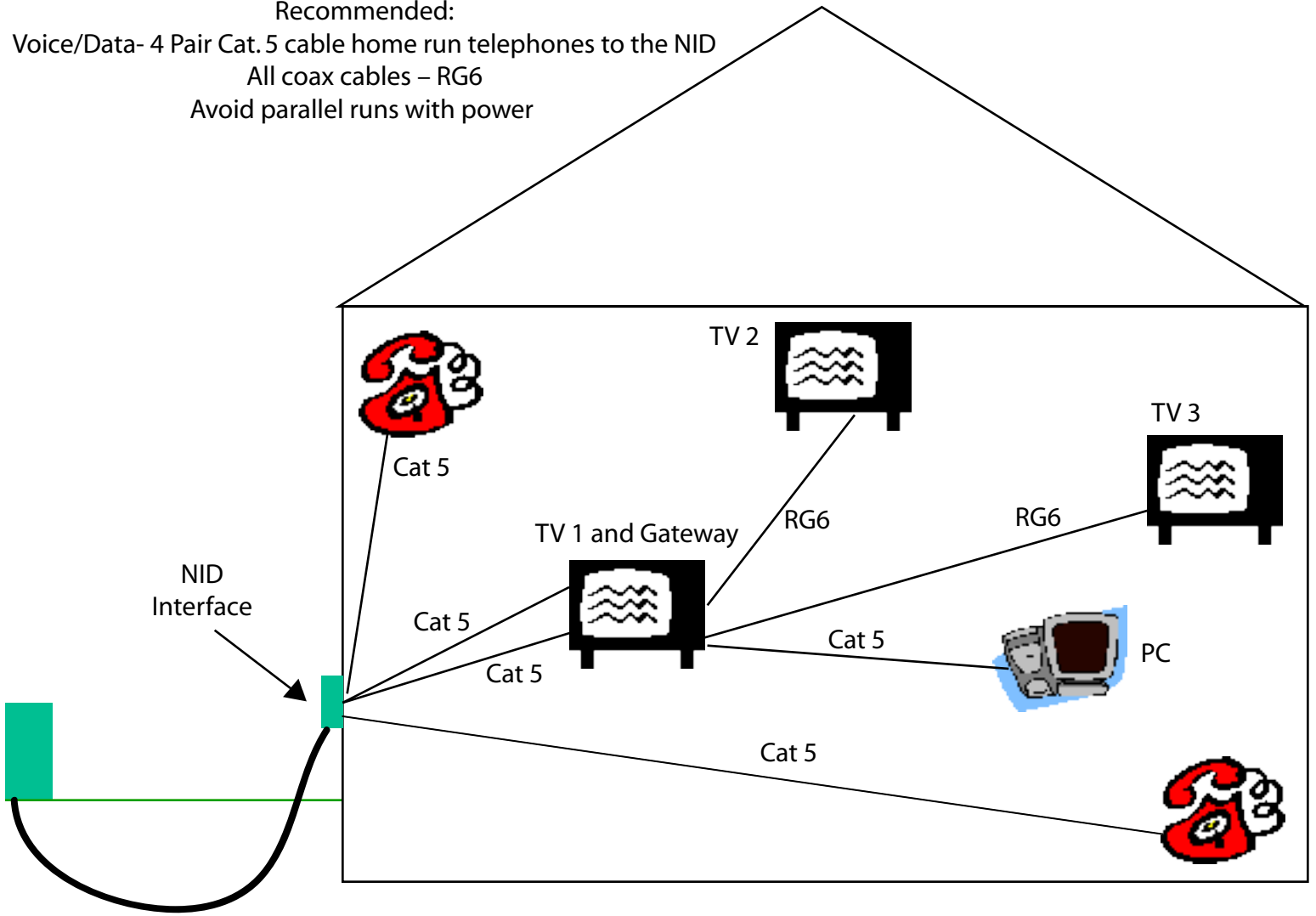


Recommended:
Voice/Data- 4 Pair Cat. 5 cable home run telephones to the NID
All coax cables – RG6
Avoid parallel runs with power



6 Pair Underground
Or Paired
Overhead Dropwire

Gateway serves 2 or 3 TVs, depending on location.
More TVs require additional Gateways.